

DAILY €6 VAN SPECIFICATIONS



IVECO

Your partner for sustainable transport

DAILY SPECIFICATIONS 35S VAN

DIMENSIONS (mm)

	35S14V Euro VI				35S18V Euro VI				35S21V Euro VI		
X Wheelbase	3000	3520	3520L	4100	3520	3520L	4100	3520	3520L	4100	
Y Rear overhang	1119	1119	1519	2104	1119	1519	2104	1119	1519	2104	
K Overall length	5476	5687	6087	7252	5687	6087	7252	5687	6087	7252	
H Overall height – unladen	2315	2314	2660	2663	2281	2662	2665	2281	2662	2665	
O Front track	1740	1740	1740	1740	1740	1740	1740	1740	1740	1740	
N Rear track	1704	1704	1704	1704	1704	1704	1704	1704	1704	1704	
E Overall width (Cab)	2010	2010	2010	2010	2010	2010	2010	2010	2010	2010	
Turning circle kerb to kerb	10546	12084	12084	13800	12084	12084	13800	12084	12084	13800	
Turning circle wall to wall	11200	12744	12744	14466	12744	12744	14466	12744	12744	14466	

CARGO AREA (mm)

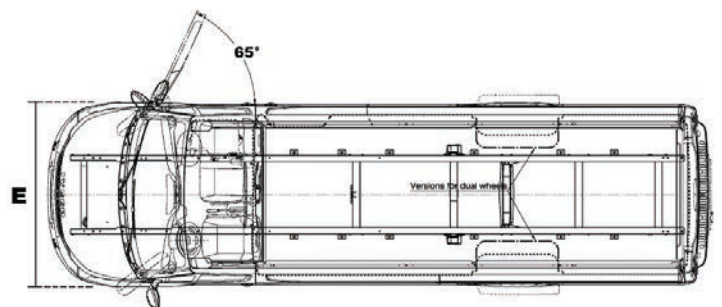
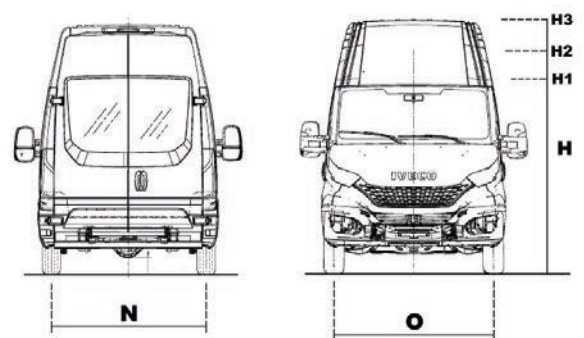
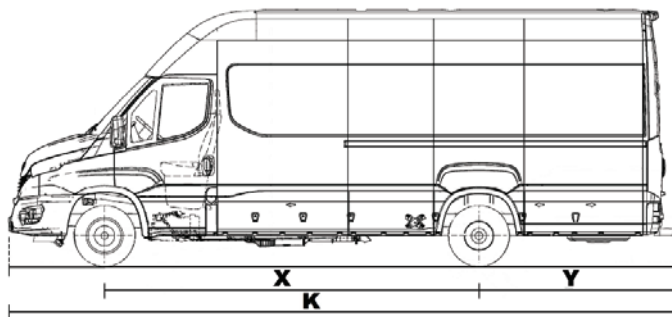
	35S14V Euro VI				35S18V Euro VI				35S21V Euro VI		
Volume (m ³)	7,3	9	12	16	9	12	16	9	12	16	
Internal length	2610	3130	3540	4680	3130	3540	4680	3130	3540	4680	
Internal width	1740	1740	1740	1740	1740	1740	1740	1740	1740	1740	
Internal height	1545 (H1)	1545 (H1)	1900 (H2)	1900 (H2)	1545 (H1)	1900 (H2)	1900 (H2)	1545 (H1)	1900 (H2)	1900 (H2)	
Height of loading floor - unladen	715	685	682	685	685	682	685	685	682	685	
Wheel house distance (int.)	1317	1317	1317	1317	1317	1317	1317	1317	1317	1317	
Rear door opening width	1530	1530	1530	1530	1530	1530	1530	1530	1530	1530	
Rear door opening height	1450	1450	1800	1800	1450	1800	1800	1450	1800	1800	
Side door opening width	1100	1260	1260	1260	1260	1260	1260	1260	1260	1260	
Side door opening height	1425	1425	1800	1800	1425	1800	1800	1425	1800	1800	

MASS (kg)

	35S14V Euro VI				35S18V Euro VI				35S21V Euro VI		
GVM	3800*	3800*	3800*	3800*	3800*	3800*	3800*	3800*	3800*	3800*	
GCM	7000	7000	7000	7000	7000	7000	7000	7000	7000	7000	
Towing capacity with braked trailer	3200	3200	3200	3200	3200	3200	3200	3200	3200	3200	
Front axle capacity	1900	1900	1900	1900	1900	1900	1900	1900	1900	1900	
Rear axle capacity	2240	2240	2240	2240	2240	2240	2240	2240	2240	2240	
Kerb mass front axle	1359	1444	1372	1420	1447	1375	1421	1447	1375	1421	
Kerb mass rear axle	806	777	907	1013	788	919	1020	788	919	1020	
Kerb mass total**	2165	2221	2279	2433	2235	2294	2441	2235	2294	2441	
Payload capacity	1635	1579	1521	1367	1565	1506	1359	1565	1506	1369	

* 3500kg GVM and 6700kg GCM with rear air suspension

** Kerb masses are with minimal fuel, spare wheel, tools and no driver



DAILY SPECIFICATIONS 50C VAN

DIMENSIONS (mm)

	50C18V Euro VI				50C21V Euro VI			
X Wheelbase	3520L	4100	4100	4100L	3520L	4100	4100	4100L
Y Rear overhang	1541	2126	2126	2526	1541	2126	2126	2526
K Overall length	6109	7274	7274	7674	6109	7274	7274	7674
H Overall height - unladen	2748	2752	2944	2945	2748	2752	2944	2945
O Front track	1724	1724	1724	1724	1724	1724	1724	1724
N Rear track	1542	1542	1542	1542	1542	1542	1542	1542
E Overall width (Cab)	2010	2010	2010	2010	2010	2010	2010	2010
Turning circle kerb to kerb	12744	14564	14564	14564	12744	14564	14564	14564
Turning circle wall to wall	13366	15190	15190	15190	13366	15190	15190	15190

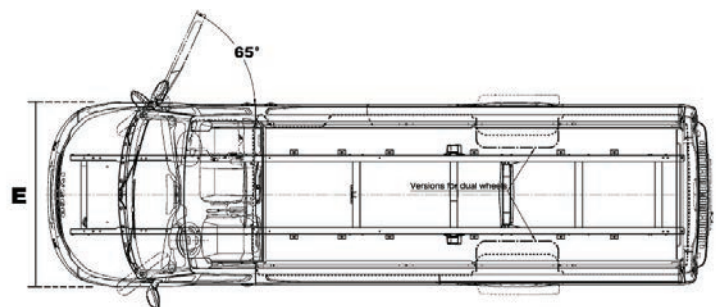
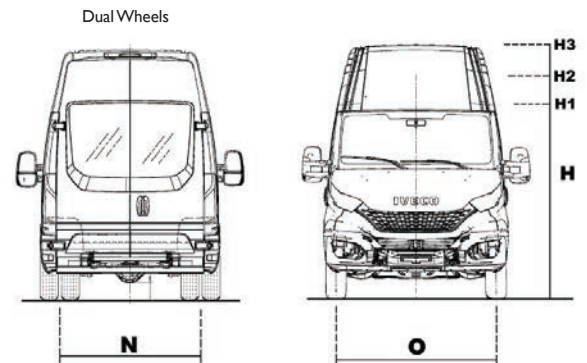
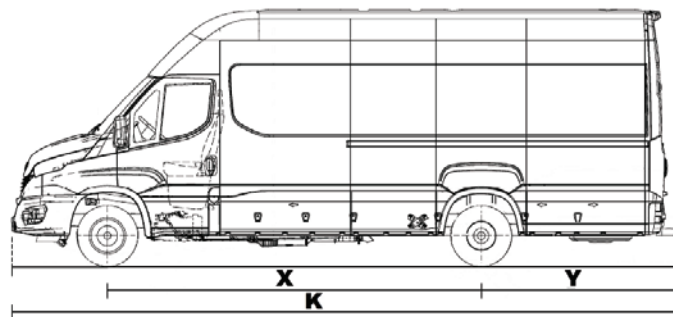
CARGO AREA (mm)

	50C18V Euro VI				50C21V Euro VI			
Volume (m ³)	12	16	18	19.6	12	16	18	19.6
Internal length	3540	4680	4680	5125	3540	4680	4680	5125
Internal width	1740	1740	1740	1740	1740	1740	1740	1740
Internal height	1900 (H2)	1900 (H2)	2100 (H3)	2100 (H3)	1900 (H2)	1900 (H2)	2100 (H3)	2100 (H3)
Height of loading floor - unladen	770	774	774	775	770	774	774	775
Wheel house distance (int.)	1032	1032	1032	1032	1032	1032	1032	1032
Rear door opening width	1530	1530	1530	1530	1530	1530	1530	1530
Rear door opening height	1800	1800	2000	2000	1800	1800	2000	2000
Side door opening width	1260	1260	1260	1260	1260	1260	1260	1260
Side door opening height	1800	1800	1800	1800	1800	1800	1800	1800

MASS (kg)

	50C18V Euro VI				50C21V Euro VI			
GVM	4495	4495	4495	4495	4495	4495	4495	4495
GVM Option	5200	5200	5200	5200	5200	5200	5200	5200
GCM	7995	7995	7995	7995	7995	7995	7995	7995
GCM Option	8700	8700	8700	8700	8700	8700	8700	8700
Towing capacity with braked trailer	3500	3500	3500	3500	3500	3500	3500	3500
Front axle capacity	2100	2100	2100	2100	2100	2100	2100	2100
Rear axle capacity	3700	3700	3700	3700	3700	3700	3700	3700
Kerb mass front axle	1488	1512	1520	1513	1488	1512	1520	1513
Kerb mass rear axle	1065	1177	1193	1230	1065	1177	1193	1230
Kerb mass total*	2553	2689	2713	2743	2553	2689	2713	2743
Payload capacity	1942	1806	1782	1752	1942	1806	1782	1752

* Kerb masses are with minimal fuel, spare wheel, tools and no driver



DAILY SPECIFICATIONS 70C VAN

DIMENSIONS (mm)

	70C18V Euro VI			70C21V Euro VI		
X Wheelbase	4100 (H2)	4100 (H3)	4100L (H3)	4100 (H2)	4100 (H3)	4100L (H3)
Y Rear overhang	2116	2116	2516	2116	2116	2516
K Overall length	7264	7264	7664	7264	7264	7664
H Overall height unladen	2849	3041	3054	2849	3041	3054
O Front track	1725	1725	1725	1725	1725	1725
N Rear track	1660	1660	1660	1660	1660	1660
E Overall width (Cab)	2052	2052	2052	2052	2052	2052
Turning circle kerb to kerb	14108	14108	14108	14108	14108	14108
Turning circle wall to wall	14758	14758	14758	14758	14758	14758

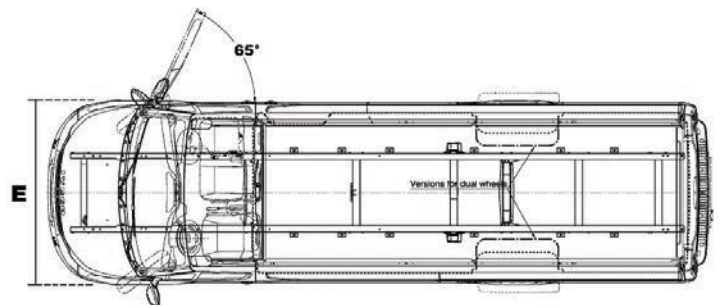
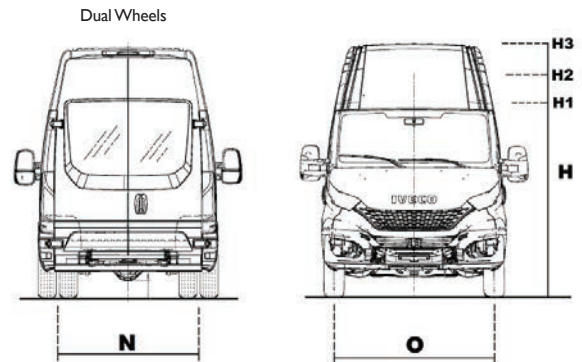
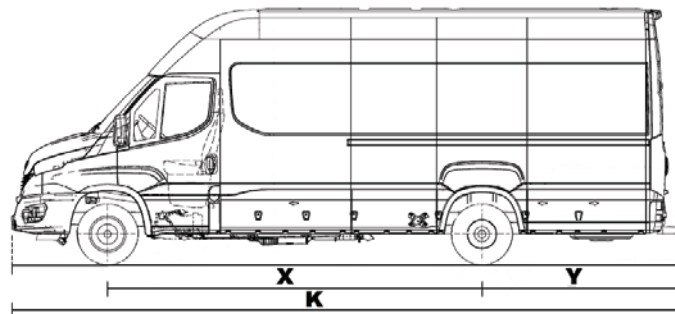
CARGO AREA (mm)

	70C18V Euro VI			70C21V Euro VI		
Volume (m ³)	16	18	19.6	16	18	19.6
Internal length	4680	4680	5125	4680	4680	5125
Internal width	1740	1740	1740	1740	1740	1740
Internal height	1900 (H2)	2100 (H3)	2100 (H3)	1900 (H2)	2100 (H3)	2100 (H3)
Height of loading floor - unladen	871	871	884	871	871	884
Wheel house distance (int.)	1032	1032	1032	1032	1032	1032
Rear door opening width	1530	1530	1530	1530	1530	1530
Rear door opening height	1800	2000	2000	1800	2000	1800
Side door opening width	1260	1260	1260	1260	1260	1260
Side door opening height	1800	1800	1800	1800	1800	1800

MASS (kg)

	70C18V Euro VI			70C21V Euro VI		
GVM	7000	7000	7000	7000	7000	7000
GCM	10500	10500	10500	10500	10500	10500
Towing capacity with braked trailer	3500	3500	3500	3500	3500	3500
Front axle capacity	2500	2500	2500	2500	2500	2500
Rear axle capacity	5350	5350	5350	5350	5350	5350
Kerb mass front axle	1590	1602	1601	1590	1602	1601
Kerb mass rear axle	1433	1445	1475	1433	1445	1475
Kerb mass total*	3023	3047	3076	3023	3047	3076
Payload capacity	3977	3953	3924	3977	3953	3924

* Kerb masses are with minimal fuel, spare wheel, tools and no driver



DAILY SPECIFICATIONS

ENGINE

I36EVID FIA Euro 6 Heavy Duty engine (standard on 35S) 4 stroke diesel with direct-injection, intercooler and electronic-controlled variable geometry turbine (e-VGT).

Maximum Output I36EVID: 100 kW (136 hp) @ 3600 rpm

Maximum Torque I36EVID: 350 Nm (258 ft-lbs) @ 1500 rpm

I80EVID FIC Heavy Duty Euro 6 engine (Standard on 50C & 70C) 4 stroke diesel with direct-injection, Variable Geometry Turbocharger (VGT) and intercooler

Maximum Output: I80EVID: 132 kW (180 hp) @ 3500 rpm

Maximum Torque: I80EVID: 430 Nm (317 ft-lbs) @ 1500 rpm

Emissions Technology: Exhaust Gas Recirculation and Selective Catalytic Reduction

Total Displacement: FIA: 2.3 litre, FIC: 3.0 litre

Exhaust: Muffler horizontally positioned on the right side and tailpipe located mid-way down right side of vehicle

Optional Engines available on 35S:

I80EVID - Engine FIC 180 Hp Euro 6 Heavy Duty 4 stroke diesel with direct-injection and Variable Geometry Turbine (VGT)

210EVID - Engine FIC 210 Hp EURO 6 Heavy Duty 4 stroke diesel with direct-injection and electronically-controlled variable geometry turbine (e-VGT)

Optional Engine available on 50C and 70C:

210EVID - Engine FIC 210 Hp EURO 6 Heavy Duty 4 stroke diesel with direct-injection and electronically-controlled variable geometry turbine (e-VGT)

Maximum Output: I80EVID: 132 kW (180 hp) @ 3500 rpm

Maximum Torque: I80EVID: 430 Nm (317 ft-lbs) @ 1500 rpm

Maximum Output: 210EVID: 155 kW (210 hp) @ 3500

Maximum Torque: 210EVID: 470 Nm (347 ft-lbs) @ 1500

TRANSMISSION

6-speed Synchromesh Double Overdrive Manual Transmission

Type: 2835.6 DOD (136 hp)

1st 5.004, 2nd 2.635, 3rd 1.503, 4th 1.000, 5th 0.812 OD, 6th 0.685 DOD, Rev. 4.189

6-speed Synchromesh Manual Transmission

Type: 2840.6 OD (180 hp) 1st 5.375, 2nd 3.154, 3rd 2.041, 4th 1.365, 5th 1.000, 6th 0.791 OD, Rev. 4.838

Optional Transmission: 8-speed ZF Torque Converter Automatic (Hi-Matic)

Type: 8V470A

1st 4.696, 2nd 3.130, 3rd 2.104, 4th 1.667, 5th 1.285, 6th 1.000, 7th 0.839 OD, 8th 0.667 DOD, Rev. 3.297

STEERING

Type: Hydraulic power steering

Diameter: 380 mm diameter steering wheel with telescopic adjustment

CLUTCH

Type: Single dry plate hydraulic control

Diameter: 267 mm (136 hp); 280 mm (180 hp)

FRONT AXLE & SUSPENSION

Capacity: 1900 kg (35S)

Capacity: 2100 kg (50C)

Capacity: 2500 kg (70C)

Suspension Type: Double wishbone with transversal leaf spring (35S)

Suspension Type: Independent with adjustable steel torsion bar (50C and 70C)

REAR AXLE & SUSPENSION

Capacity: 2430 kg (35S)

Capacity: 3700 kg (50C)

Capacity: 5350 kg (70C)

Suspension Type: Rear parabolic spring

Optional Suspension: ECAS - Rear air suspension (35S 3.5T GVM)

Optional Suspension: ECAS - Rear air suspension (50C and 70C)

Capacity: 2240 kg (35S 3.5T GVM)

Rear axle ratio: 35S - 3.60: 1

Rear axle ratio: 50C - 3.60: 1

Rear axle ratio: 70C - 4.30: 1

Optional Differential: Driver Controlled Differential Lock (50C and 70C)

BRAKES

Front / Diameter: Disc brakes / 300 mm (35S)

Front / Diameter: Disc brakes / 290 mm (50C)

Front / Diameter: Disc brakes / 301 mm (70C)

Rear / Diameter: Disc brakes / 296 mm (35S)

Rear / Diameter: Disc brakes / 290 mm (50C)

Rear / Diameter: Disc brakes / 306 mm (70C)

Parking brake: Electronic

Service brakes: Full ABS disc brakes with floating calipers and auto wear adjustment.

Hydraulically operated with vacuum servo assistance. Dual circuit configuration; cross split on 35S & independent from 50C up to 70C. Low Brake fluid level indicator - front & rear pad wear sensors. Asbestos free pads.

SAFETY

- **ESP9** - Includes: ABS (Antilock Braking System), EBD (Electronic Brake force Distribution), ASR (Anti Slip Regulator), MSR (Motor Drag torque control) Hill Holder (Assisted uphill departure), HBA (Hydraulic Brake Assist), LAC (Load Adaptive Control), TSM (Trailer sway mitigation), RMI (Roll Movement Intervention), ROM (Roll Over Mitigation) & Crosswind assist
- Four SRS airbags
- Advanced Emergency Braking System (AEBS)

FUEL SYSTEM

100 litres with fuel cap location on passenger side (70 litres on 7.3m³)

20 litre Adblue

ELECTRICAL SYSTEM

Type: 12V

Battery: 12V-110 Ah (Smart-charging)

Smart Alternator: 12V-220 A

Trailer: Wiring to rear of chassis

CHASSIS

Type: C Section steel longitudinal side members and tubular cross members

WHEELS & TYRES

Wheels: Steel 6.5J x R16 (35S); Steel 5J x R16 (50C); Steel 6J x R16 (70C)

- Spare wheel included - in load compartments on some models
- Single rear wheel (35S)
- Dual rear wheels (50C and 70C)

Tyre Size: 235/65 R16 (35S); 195/75 R16 (50C); 225/75 R16 (70C)

CABIN FEATURES

- Driver, passenger and curtain airbags with seat belt pretensioners
- Suspended, heated and fully adjustable driver seat with armrest
- Bench seat with two occupant capacity, under seat storage and fold down table
- Adaptive cruise control
- Electric windows
- Exterior mirrors with integrated wide angle and direction indicators, heated and electronically adjustable
- Overhead console with storage shelf
- Large dual storage pockets in doors
- Document storage compartment
- Body builder connections
- 2 cup and 2x bottle holders
- Air conditioning
- Electronic parking brake
- Ecoswitch Pro
- 2 spotlights
- 4 loud speakers

LIGHTS

- Daytime running lights
- Optional full LED headlights

DASHBOARD

- 3.5" high resolution TFT colour display and silver dial rings
- TFT Display Panel includes: digital speedometer, ADAS (Advanced Driver-Assistance Systems) dashboard, ADAS quick menu, TPMS, oil, battery and service information. Navigation and phone multimedia, fuel economy, trip computer, vehicle settings, display settings and diagnostics.
- Engine oil level display
- Instrument light dimmer switch
- Dash-mounted gear lever
- 3 storage areas on top of dash
- MP3 player, USB and AUX connectivity, Bluetooth with steering wheel controls

SECURITY

- Central locking with remote control
- Steering lock
- Engine immobiliser
- Run Lock Function (Only available if Expansion Module option is selected)

LOAD AREA

- Floor - steel ribbed with load lashing rings
- Side access via top hung side sliding door internal step and grab handle
- Rear access by hinged doors with stops at 90° and 270° (180° on 7.3 m³) and grab handle
- Interior lights at side and rear (door operated with individual isolation)
- Full bulkhead with window



iveco.com.au

IVECO

Your partner for sustainable transport

DAILY OPTIONAL UPGRADE PACKS

HI-BUSINESS PACK

- Hi-Connect multimedia system and GPS navigation
- Open storage with inductive plus USB charge
- Fog lights
- Reverse camera



FOG LIGHTS



INDUCTIVE CHARGE

HI-COMFORT PACK

- Automatic controlled air conditioning
- Leather covered steering wheel
- Tyre Pressure Monitoring System (TPMS)
- Automatic wipers and headlights control



STEERING WHEEL



AIR CONDITIONING

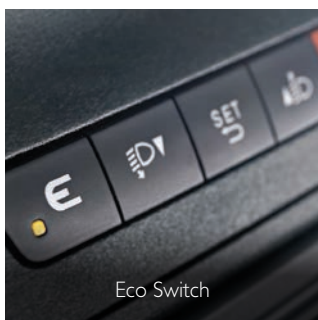


HI-TECHNOLOGY PACK – AUTOMATIC TRANSMISSION

- Queue assist
- Lane departure warning
- City brake
- Traction plus and hill descent
- Automatic high beam control

HI-TECHNOLOGY PACK – MANUAL TRANSMISSION

- Lane departure warning
- City brake
- Traction plus and hill descent
- Automatic high beam control



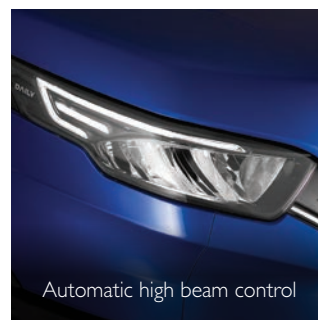
Eco Switch



Lane departure warning



Traction plus and hill descent



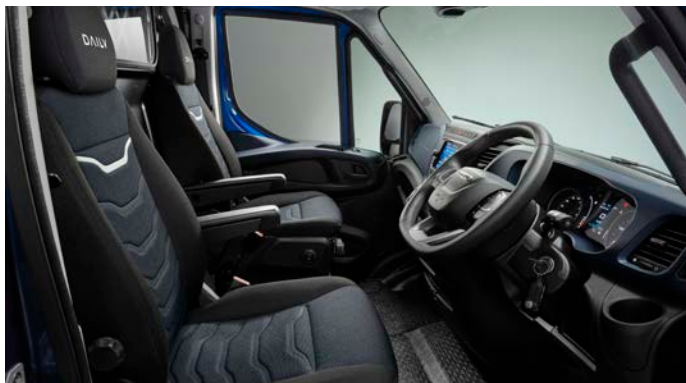
Automatic high beam control

DAILY OPTIONAL UPGRADES

7m³ = 3000WB x 1545 (H1)
9m³ = 3520WB x 1545 (H1)
12m³ = 3520WB x 1900 (H2)
16m³ = 4100WB x 1900 (H2)
18m³ = 4100WB x 2100 (H3)
19.6m³ = 4100LWB x 2100 (H3)
F1C 3.0L engine: 180 hp / 430 Nm
F1C 3.0L engine: 210 hp / 470 Nm
8-speed Hi-Matic Automatic Transmission
ECAS rear air suspension
Windows in rear; doors heated and tinted
Window on sliding door (passenger side)
Dual sliding doors
Windowed dual sliding doors
Passenger seat: heated, suspended, adjustable with lumbar support
Remove bulkhead
Differential lock
Rear step
Expansion module
Third key with remote
Run lock function
Full LED headlights
Light aluminium alloy wheels
5.2 tonnes re-rating

35S	50C	70C
S	N/A	N/A
O	N/A	N/A
O	S	N/A
O	O	S
N/A	O	O
N/A	O	O
O	S	S
O	O	O
O	O	O
O	O	O
O	O	O
O	O	O
O	O	O
O	O	O
O	O	O
O	O	O
O	O	O
O	O	O
N/A	O	O
S	O	O
O	O	O
O	O	O
O	O	O
O	O	O
O	O	O
O	O	O
O	O	O
O	O	O
O	N/A	N/A
O	O	O
N/A	O	N/A

O – Optional S – Standard N/A – Not Available





IVECO TRUCKS AUSTRALIA LIMITED ABN 86 004 065 061 PRINCES HIGHWAY DANDENONG VICTORIA 3175 PO BOX 117 DANDENONG VICTORIA 3175 PO BOX 117 DANDENONG VICTORIA 3175 TELEPHONE (03) 9238 2200 WWW.IVECO.COM.AU THE INFORMATION IN THIS DOCUMENT WAS CORRECT AT THE TIME OF PRINTING THE DATA IN THIS DOCUMENT IS APPROXIMATE IF AN EXACT WEIGHT OR DIMENSION IS REQUIRED PLEASE CONTACT YOUR LOCAL AUTHORISED IVECO DEALER ALWAYS CONSULT AN AUTHORISED IVECO DEALER FOR THE LATEST INFORMATION ON THE VEHICLE BEFORE DECIDING TO PLACE AN ORDER OVERSEAS IMAGES ARE SHOWN THROUGHOUT THIS DOCUMENT AND IMAGES MAY REFER TO EQUIPMENT THAT IS OPTIONAL THE MODELS DESCRIBED CAN BE SUBJECT TO MODIFICATIONS WITHOUT ANY NOTICE BY THE MANUFACTURER IVECT0032-01/2021